

## HYDRATIGHT BOLTING SYSTEM

### DESCRIPTION

The Hydratight is a reliable Bolt Tensioning system composed of:

- High Pressure hydraulic pump
- Hydraulic hoses
- Tensioners (of various dimensions)

### HYDRAULIC TENSIONER PUMP (AIR DRIVEN PUMP UNIT)

**Model:** PIVICAT (HYDRATIGHT) 525/1700 ( 1700 BAR max )

**Model:** HYDRATIGHT SEA SERPENT Z 1700 BAR max

*The hydraulic pump is powered by compress air, with low maintenance, reliable and suitable for the underwater tensioners where there is the necessity of big quantity of hydraulic oil.*



Sea Serpent pump



Pivicat pump

#### **Sede Legale:**

Via G. Gandino, 20 – 40137 Bologna (BO) - Italy  
P.IVA / C.F. 02470030392  
E-mail: [marinec@marinec.com](mailto:marinec@marinec.com) - [Http://www.marinec.com](http://www.marinec.com)

#### **Sede Operativa Ravenna:**

Via A. Bonvicini, 13 – 48123 Mezzano (RA) – Italy  
Ph. +39 0544 520250 - Fax +39 0544 521601

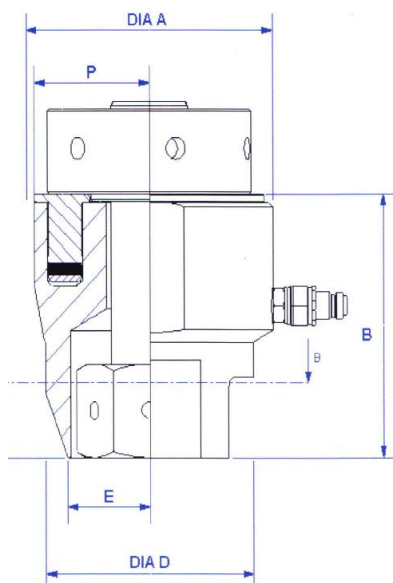
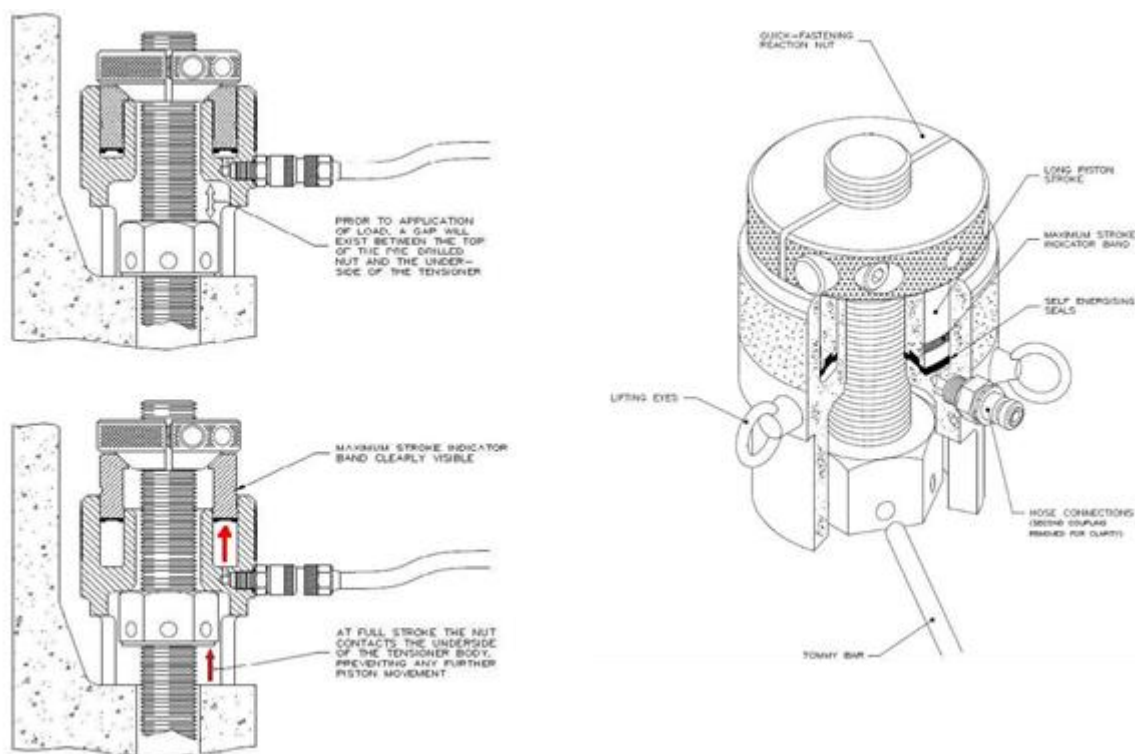
#### **Sede Operativa Siracusa:**

C.da Bondifè snc – 96010 Melilli (SR) – Italy

## SPECIFICATIONS

**Manufacturer:** PIVICAT (now HYDRATIGHT)  
**Type:** M48 – M52 TYPE ST6”

**Manufacturer:** HYDRATIGHT  
**Type:** M24 – M27 - M30 – M48 – M52



### **Sede Legale:**

Via G. Gandino, 20 – 40137 Bologna (BO) - Italy  
 P.IVA / C.F. 02470030392  
 E-mail: [marinec@marinec.com](mailto:marinec@marinec.com) - [Http://www.marinec.com](http://www.marinec.com)

### **Sede Operativa Ravenna:**

Via A. Bonvicini, 13 – 48123 Mezzano (RA) – Italy  
 Ph. +39 0544 520250 - Fax +39 0544 521601

### **Sede Operativa Siracusa:**

C.da Bondifè snc – 96010 Melilli (SR) – Italy



**Sede Legale:**

Via G. Gandino, 20 – 40137 Bologna (BO) - Italy  
P.IVA / C.F. 02470030392  
E-mail: [marinec@marinec.com](mailto:marinec@marinec.com) - [Http://www.marinec.com](http://www.marinec.com)

**Sede Operativa Ravenna:**

Via A. Bonvicini, 13 – 48123 Mezzano (RA) – Italy  
Ph. +39 0544 520250 - Fax +39 0544 521601

**Sede Operativa Siracusa:**

C.da Bondifè snc – 96010 Melilli (SR) – Italy